



T120C
T120P

Super Quiet Generators



SUPER QUIET GENERATORS
T120

Specifications

System Power Output	T120C	T120P
Prime 3 phase power	96 kW / 120 kVA	91 kW / 114 kVA
Standby 3 phase power	100 kW / 125 kVA	100 kW / 125 kVA
Available 3 phase voltage	208 / 220 / 240 / 440 / 480	208 / 220 / 240 / 440 / 480
Associated 3 phase amps (0.8 power factor)	333 / 315 / 289 / 157 / 144	316 / 299 / 274 / 150 / 137
Prime 1 phase power	72 kW / 72 kVA	
Available 1 phase voltage	120 / 240	
Associated 1 phase Amps (1.0 power factor)	600 / 300	
Max Amp rating (main breaker size)	350 A	

Engine

Manufacturer, model	Cummins, QSB5-G5 NR3	Perkins, 1104D-44TAG2
Horsepower - Prime (1800 rpm)	139 hp (104 kWm)	134 hp (100 kWm)
Description	Tier III, 4 cyl., 4-cycle, water cooled, OHV, in-line, direct injection	
Aspiration	Turbocharged and Charge Air Cooled	
Bore & stroke	4.21 x 4.88 in (107 x 124 mm)	4.13 x 5.00 in (105 x 127 mm)
Piston displacement	275 in ³ (4.5 L)	269 in ³ (4.41 L)
Compression ratio	17.3 : 1	18.2 : 1
Exhaust system	Critical grade silencer	
Monitoring gauges	Oil pressure, water temperature, fuel level, battery voltage, hours	
Coolant capacity (engine only)	10.0 qts (8.5 L)	7.4 qts (7.0 L)
Cooling system	Liquid Cooled - Rated to 105° F Ambient	

Super Quiet Generator T120C/T120P

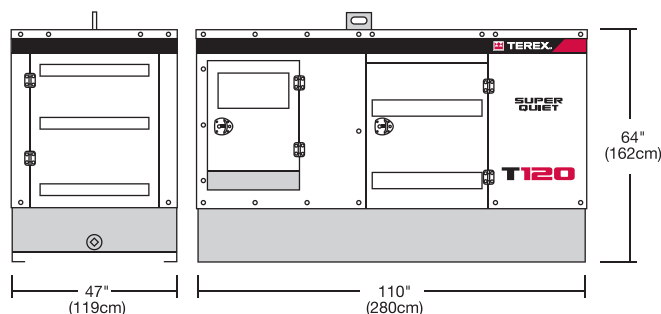
Specifications

Fuel System	T120C	T120P
Fuel specification	#2 diesel	
Filter	Fuel/water separator	
Capacity	160 gal (606 L)	
Tank and containment	Internal fuel tank with 110% fluid spill containment	
Consumption and run time	- Full Load	7.9 gal/hr (30 L/hr) 20 hr
	- ¾ Load	6.6 gal/hr (25 L/hr) 24 hr
	- Half Load	4.4 gal/hr (17 L/hr) 36 hr
		7.3 gal/hr (27.8 L/hr) 21 hr
		5.8 gal/hr (22.0 L/hr) 27 hr
		4.3 gal/hr (16.1 L/hr) 37 hr

System Controls and Distribution	
Electronic governor	Electronic (+/- 0.5%)
Protection (safety shutdowns)	Low oil pressure, high water temperature, overcrank, overspeed, underspeed
Generator gauges	Voltmeter, ammeter, Hz meter (dial-type on Perkins models)
Receptacles, 120 V	2 Each 20 Amp GFCI Duplex
Receptacles, 240 V	3 Each 50 Amp Tempower T/L
Primary distribution	5 lug terminals with mainline circuit breaker

Packaging	
Enclosure	Sound attenuated, weatherproof with lockable doors
Sound levels	68 dBA at 23 ft (7 m)
Lifting system	Roof-mounted, single point
Weight (no trailer)	T120C T120P
- empty	4,284 lb (1,947 kg) 4,510 lb (2,050 kg)
- full	5,749 lb (2,613 kg) 5,975 lb (2,716 kg)
Dimensions - L x W x H (no trailer)	110 x 47 x 64 in (279 x 119 x 162 cm)
Weight (with trailer)	T120C T120P
- empty	7,083 lb (3,213 kg) 7,142 lb (3,246 kg)
- full	8,548 lb (3,885 kg) 8,607 lb (3,912 kg)
Dimensions - L x W x H (with trailer)	171 x 75 x 82 in (434 x 190 x 208 cm)

Generator	
Rating (0.8 power factor)	117 kW 3 phase @ 480/240V
Description	Brushless, 4 Pole, synchronous, single bearing
Insulation	Class H
Temperature rating	125° C rise over 40° C ambient
Automatic voltage regulator	External, solid state, adjustable
Voltage regulation	+/- 1%
Frequency (speed)	60 Hz (1800 rpm)



Options and Accessories

Trailer Options	Power & Productivity Options	
Trailer hitch, 2 in ball	Battery disconnect switch	Lighted control panel
Trailer hitch, 2 5/16 in ball (12,000 lb rated)	Trickle battery charger (with male receptacle in control panel)	Low coolant shutdown
Trailer taillight connector, 4 pole flat	3.5A battery charger with monitoring	Load balance monitoring - phase selector switch
Trailer leveling jacks (2, rear corner mounted)	Block heater	External fuel connection
Spare tire (mounts on A frame)	Tank coolant heater with panel receptacle	1000 CCA Battery (T120P only)
Center-mounted jack	Cam lock distribution panel, standard lug panel	Automatic air shutdown (T120P only)
LED trailer lights		

Note: All options that require external power such as battery chargers and block heaters include a "shore power" male receptacle mounted in the control panel.



Genie Industries, Inc.

A Terex Company

18340 NE 76th Street
PO Box 97030
Redmond, WA 98073-9730

TEL +1 (425) 881-1800
TOLL FREE +1 (800) 536-1800
PARTS & TECH SUPPORT +1 (800) 228-6444
FAX +1 (425) 883-3475
WEB www.genieindustries.com

For more information, product demonstration, or details on purchase, lease and rental plans, please contact your local Genie distributor.

Effective Date: September, 2008. Product specifications and prices are subject to change without notice or obligation. The photographs and/or drawings in this document are for illustrative purposes only. Refer to the appropriate Operator's Manual for instructions on the proper use of this equipment. Failure to follow the appropriate Operator's Manual when using our equipment or to otherwise act irresponsibly may result in serious injury or death. The only warranty applicable to our equipment is the standard written warranty applicable to the particular product and sale and we make no other warranty, express or implied. Products and services listed may be trademarks, service marks or trade-names of Terex Corporation, Genie Industries, Inc. and/or their subsidiaries in the U.S.A. and many other countries. All rights are reserved. Terex® is a registered trademark of Terex Corporation in the U.S.A. and many other countries. Genie® is a registered trademark of Genie Industries, Inc. in the U.S.A. and many other countries. Genie is a Terex Company. © 2008 Terex Corporation.