



Super Quiet Generators



SUPER QUIET GENERATORS T30

Specifications

| System Power Output | T30 |
|--|-----------------------------|
| Prime 3 phase power | 23 kW / 29 kVA |
| Standby 3 phase power | 26 kW / 32 kVA |
| Available 3 phase voltage | 208 / 220 / 240 / 440 / 480 |
| Associated 3 phase amps (0.8 power factor) | 80 / 76 / 70 / 38 / 35 |
| Prime 1 phase power | 19 kW / 19 kVA |
| Available 1 phase voltage | 120 / 240 |
| Associated 1 phase Amps (1.0 power factor) | 158 / 79 |
| Max Amp rating (main breaker size) | 110 A |

Engine

| | |
|--------------------------------|---|
| Manufacturer, model | Kubota, V3300-E3BG |
| Horsepower - Prime (1800 rpm) | 37.7 hp (28.1 kWm) |
| Description | Vertical 4-cycle Liquid Cooled Diesel |
| Bore & stroke | 3.86 x 4.33 in (98 x 110 mm) |
| Piston displacement | 202.48 in ³ (3.318 L) |
| Compression ratio | 22.6:1 |
| Exhaust system | In-line muffler |
| Monitoring gauges | Oil pressure, water temperature, fuel level, battery voltage, hours |
| Coolant capacity (engine only) | 6.0 qts (5.7 L) |
| Cooling system | Liquid Cooled - Rated to 105° F Ambient |

Super Quiet Generator T30

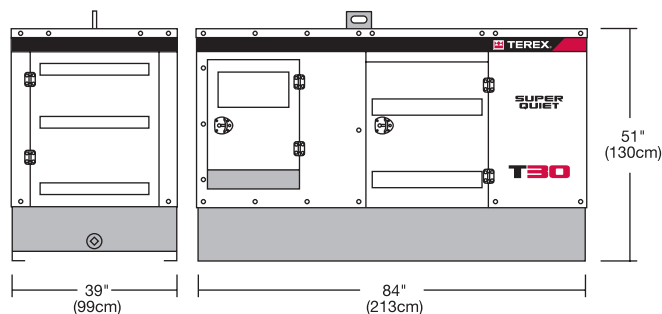
Specifications

| Fuel System | T30 | |
|--------------------------|--|-------------------------------|
| Fuel specification | #2 diesel | |
| Filter | Fuel/water separator | |
| Capacity | 64 gal (242 L) | |
| Tank and containment | Internal fuel tank with 110% fluid spill containment | |
| Consumption and run time | - Full Load | 2.68 gal/hr (10.1 L/hr) 23 hr |
| | - ¾ Load | 2.01 gal/hr (7.6 L/hr) 27 hr |
| | - Half Load | 1.34 gal/hr (5.0 L/hr) 38 hrs |

| System Controls and Distribution | |
|----------------------------------|---|
| Governor | Mechanical (+/- 4%) |
| Protection (safety shutdowns) | Low oil pressure, high water temperature overcrank, overspeed, underspeed |
| Generator gauges | Voltmeter, ammeter, dial-type Hertz meter |
| Receptacles, 120 V | 2 Each 20 Amp GFCI Duplex |
| Receptacles, 240 V | 2 Each 50 Amp Tempower T/L |
| Primary distribution | 5 lug terminals with mainline circuit breaker |

| Packaging | | |
|-----------------------|--|---------------------------------------|
| Enclosure | Sound attenuated, weatherproof with lockable doors | |
| Sound levels | 65 dBA at 23 ft (7 meters) prime load | |
| Lifting system | Roof-mounted, single point | |
| Weight (no trailer) | - empty | 2,749 lb (1,247 kg) |
| | - full | 3,197 lb (1,450 kg) |
| | Dimensions - L x W x H (no trailer) | 84 x 39 x 51 in (213 x 99 x 130 cm) |
| Weight (with trailer) | - empty | 3,224 lb (1,463 kg) |
| | - full | 3,672 lb (1,666 kg) |
| | Dimensions - L x W x H (with trailer) | 137 x 66 x 68 in (348 x 168 x 173 cm) |

| Generator | |
|-----------------------------|--|
| Rating (0.8 power factor) | 28 kW 3 phase @ 480/240V |
| Description | Brushless, 4 Pole, synchronous, single bearing |
| Insulation | Class H |
| Temperature rating | 125° C rise over 40° C ambient |
| Automatic voltage regulator | External, solid state, adjustable |
| Voltage regulation | +/- 1% |
| Frequency (speed) | 60 Hertz (1800 RPM) |



Options and Accessories

| Trailer Options |
|---|
| Trailer hitch, 2 in ball |
| Trailer taillight connector, 4 pole flat |
| Spare tire (mounts on A frame) |
| LED trailer lights |
| Trailer hitch, 2 5/16 in ball (12,000 lb rated) |
| Trailer leveling jacks (2, rear corner mounted) |
| Center-mounted jack |

| Power & Productivity Options | |
|---|---|
| Battery disconnect switch | Lighted control panel |
| Electronic governor | Control panel mounted phase selector switch |
| 5A battery charger with monitoring | External fuel connection |
| Block heater | 1000 CCA Battery |
| Cam lock distribution panel, standard lug panel | Automatic air shutdown |



Genie Industries, Inc.

A Terex Company

18340 NE 76th Street
PO Box 97030
Redmond, WA 98073-9730

TEL +1 (425) 881-1800
TOLL FREE +1 (800) 536-1800
PARTS & TECH SUPPORT +1 (800) 228-6444
FAX +1 (425) 883-3475
WEB www.genieindustries.com

For more information, product demonstration, or details on purchase, lease and rental plans, please contact your local Genie distributor.

Effective Date: November, 2008. Product specifications and prices are subject to change without notice or obligation. The photographs and/or drawings in this document are for illustrative purposes only. Refer to the appropriate Operator's Manual for instructions on the proper use of this equipment. Failure to follow the appropriate Operator's Manual when using our equipment or to otherwise act irresponsibly may result in serious injury or death. The only warranty applicable to our equipment is the standard written warranty applicable to the particular product and sale and we make no other warranty, express or implied. Products and services listed may be trademarks, service marks or trade-names of Terex Corporation, Genie Industries, Inc. and/or their subsidiaries in the U.S.A. and many other countries. All rights are reserved. Terex® is a registered trademark of Terex Corporation in the U.S.A. and many other countries. Genie® is a registered trademark of Genie Industries, Inc. in the U.S.A. and many other countries. Genie is a Terex Company. © 2008 Terex Corporation.